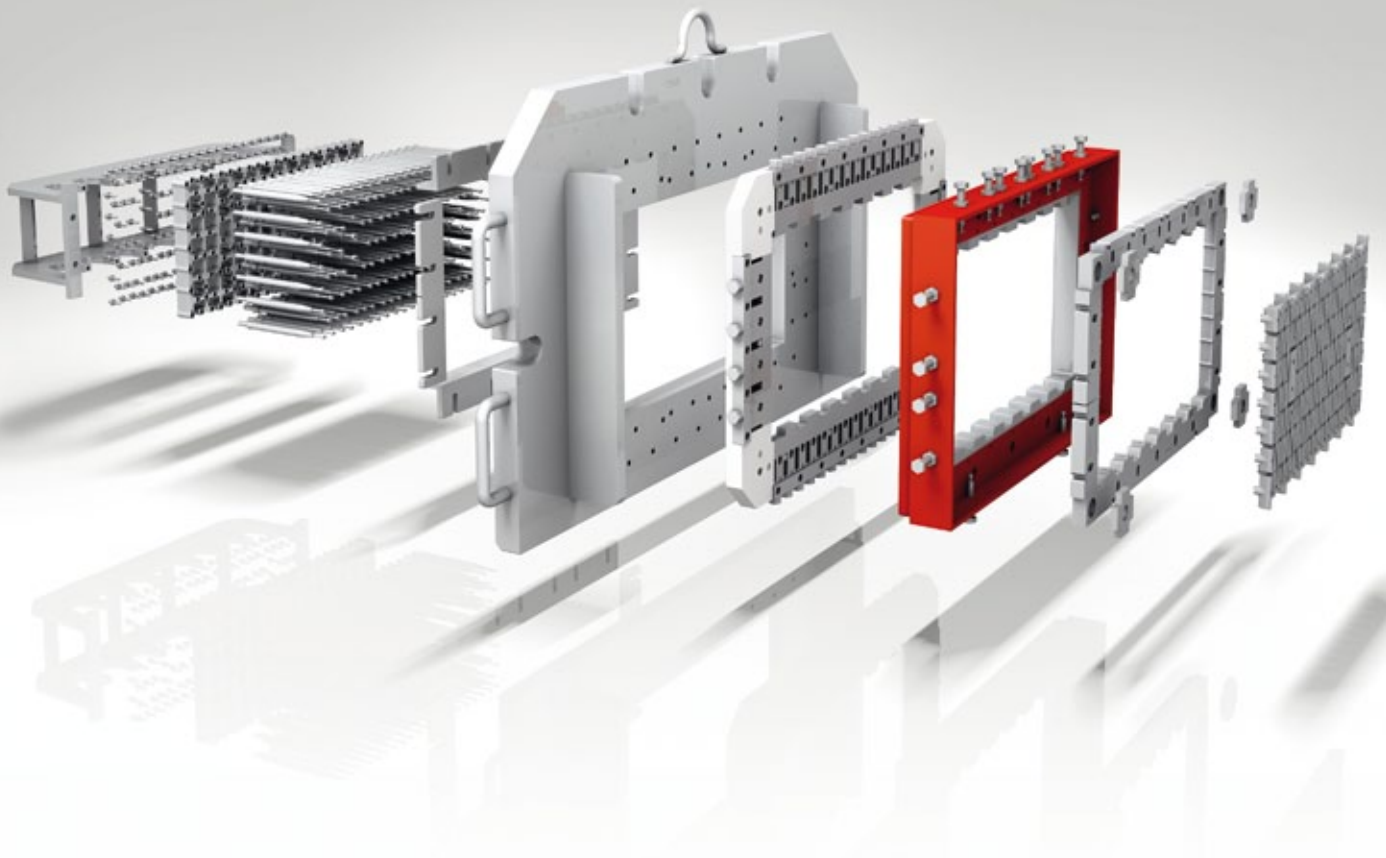


B-TEC one step ahead
Trend-setting technology
for the production of high-quality brick products

B-TEC



The B-TEC construction standard

B-TEC's construction standards can be universally applied for a wide range of product groups and stands for a modular design which can be adapted to the respective brick format. The extrusion advance can be adjusted using various control possibilities. Among other things, this can be achieved by exchanging the easily fitted, core rods with various core rod diameters.

In addition, the extrusion advance can be individually controlled using the external regulating system (MSP) as well as the pre-configurable slides on the die fixing plate.

The extrusion outlet can be adjusted using the four-sided adjustable outlet ledges in the 4S-Vario system using the adjustment screws.

Key features

- 1 Die fixing plate
- 2 Internal control by step-forming arranged flat and angled slides
- 3 External regulating system (MSP)
- 4 Intermediate frame
- 5 Outlet ledges Vario 4S system
Optionally tool steel, ceramic or tungsten carbide
- 6 Core bar rear main bridge
- 7 Flow-optimised taper screws
- 8 Flow-optimised lattice structure to fit the core rods
- 9 Screwed core rods with anti-twist protection and variable diameter
- 10 Cores with anti-twist protection
Optionally hard chrome-plated steel, ceramic or screwed combination of steel and tungsten carbide

