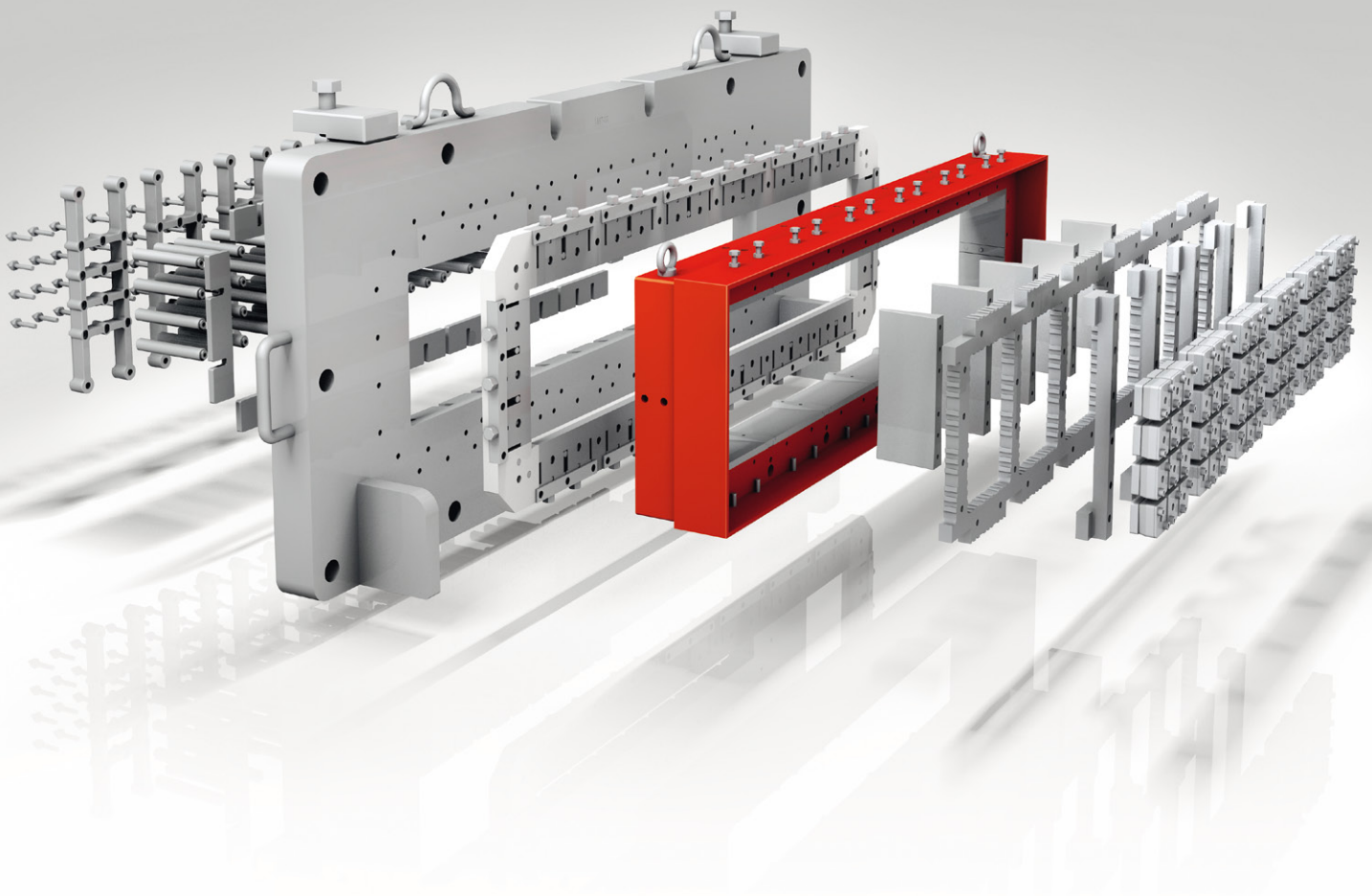


MODUL-TEC one step ahead
Trend-setting technology
for the production of high-quality brick products

MODUL-TEC



The MODUL-TEC construction standard

The MODUL-TEC construction standard is universally applicable for various product groups and is a modular design, which will be adapted to the respective brick format. The push of the clay column can be adjusted by various regulating options. Among other things, this can be guaranteed with the replacement of easily mountable, compatible core rods by different core rods diameter.

In addition, the flow of the clay column can be regulated by the external regulation (MSP) and the preset sliders at the back of the die fixing plate.

The MODUL-TEC construction is set individually depending on the products and can be supplied with different construction depths or modules. This system is applicable for different product groups.

Key features

- 1 Die fixing plate
- 2 Internal control by step-forming arranged flat and angled slides
- 3 External regulating system (MSP)
- 4 Intermediate frame with exchangeable liners and separating wedges
- 5 Outlet ledges in various designs – optionally tool steel, ceramic or tungsten carbide
- 6 Flow - optimised lactic structure to fit the core rods
- 7 Flow optimised – taper screws
- 8 Screwed core rods with anti-twist protection and variable diameter
- 9 Cores with anti-twist protection, optionally hard chrome-plated steel, ceramic or screwed combination of steel and tungsten carbide

