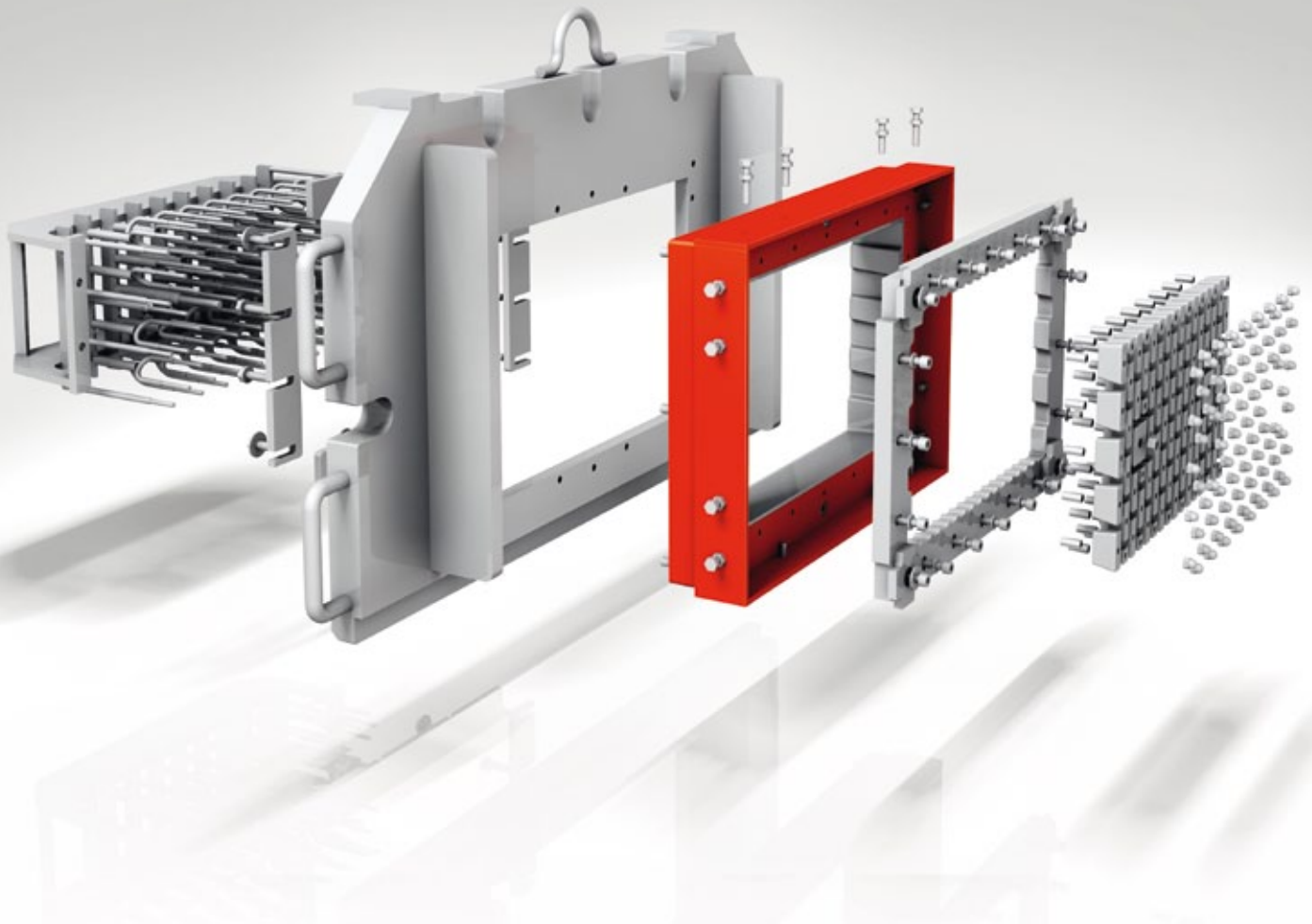


VARIO-TEC one step ahead
Trend-setting technology
for the production of high-quality brick products

VARIO-TEC



The VARIO-TEC construction standard

The VARIO-TEC die consists of different modules and can be designed in different combinations. The core bar is the heart of the die which is made in welded construction. The construction is unique and fitted individually for each customer. This component is very exposed to extreme wear. We ensure our core bars the best wear resistance through our in-house hard chrome plating facility.

The inner shape of the brick is created by forming elements, the cores. Therefore the cores are an essential part of the quality and feasibility of the brick. ZMB Braun has many years of experience in metal processing and handling with various materials, such as ceramics and tungsten carbide.

Key features

- 1 Die fixing plate
- 2 Internal control by step-forming arranged flat and angled slides
- 3 Intermediate frame with exchangeable liners
- 4 Outlet ledges in various designs – optionally tool steel, ceramic or tungsten carbide
- 5 Core bar in welded design
- 6 Cores with anti-twist protection optionally hard chrome-plated steel, ceramic or screwed combination of steel and tungsten carbide
- 7 Optionally external regulating system (MSP) (not represented)

